

---

# WEEKLY HARDWARE MEETING

---

ESHITA KUMAR

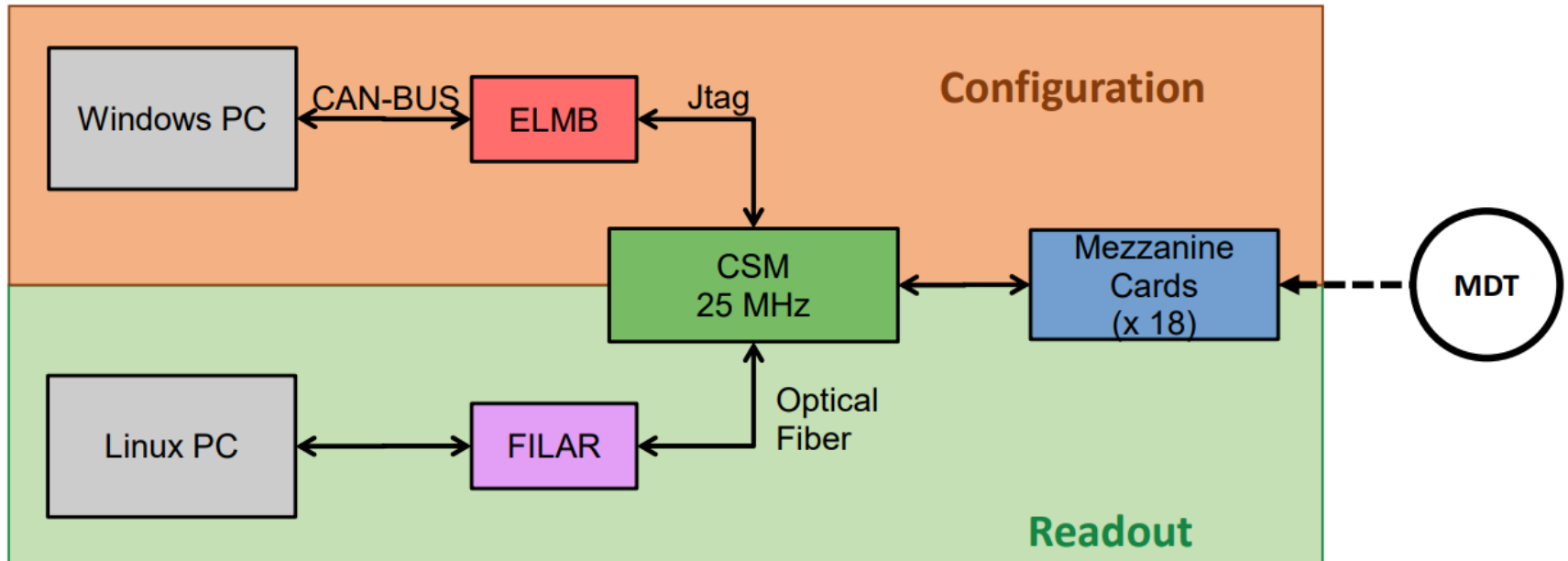
18<sup>TH</sup> JULY, 2024



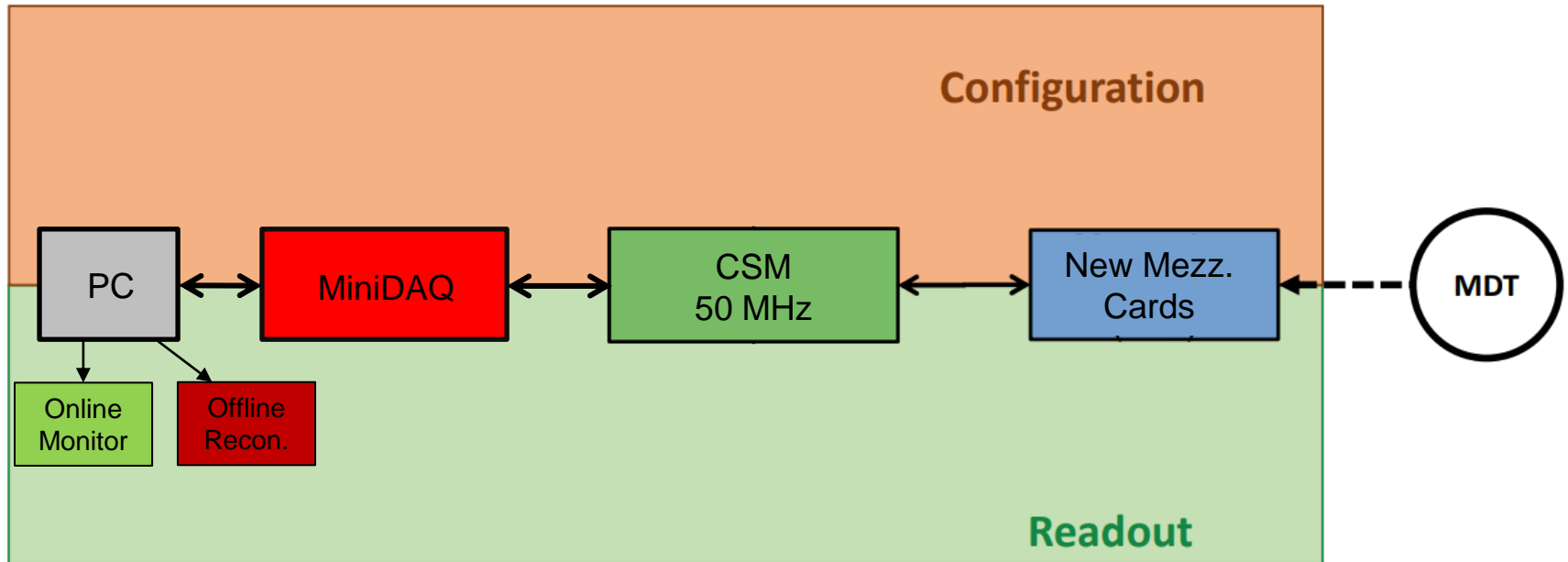
**LMU**

LUDWIG-  
MAXIMILIANS-  
UNIVERSITÄT  
MÜNCHEN

# Old CRF Electronics Setup



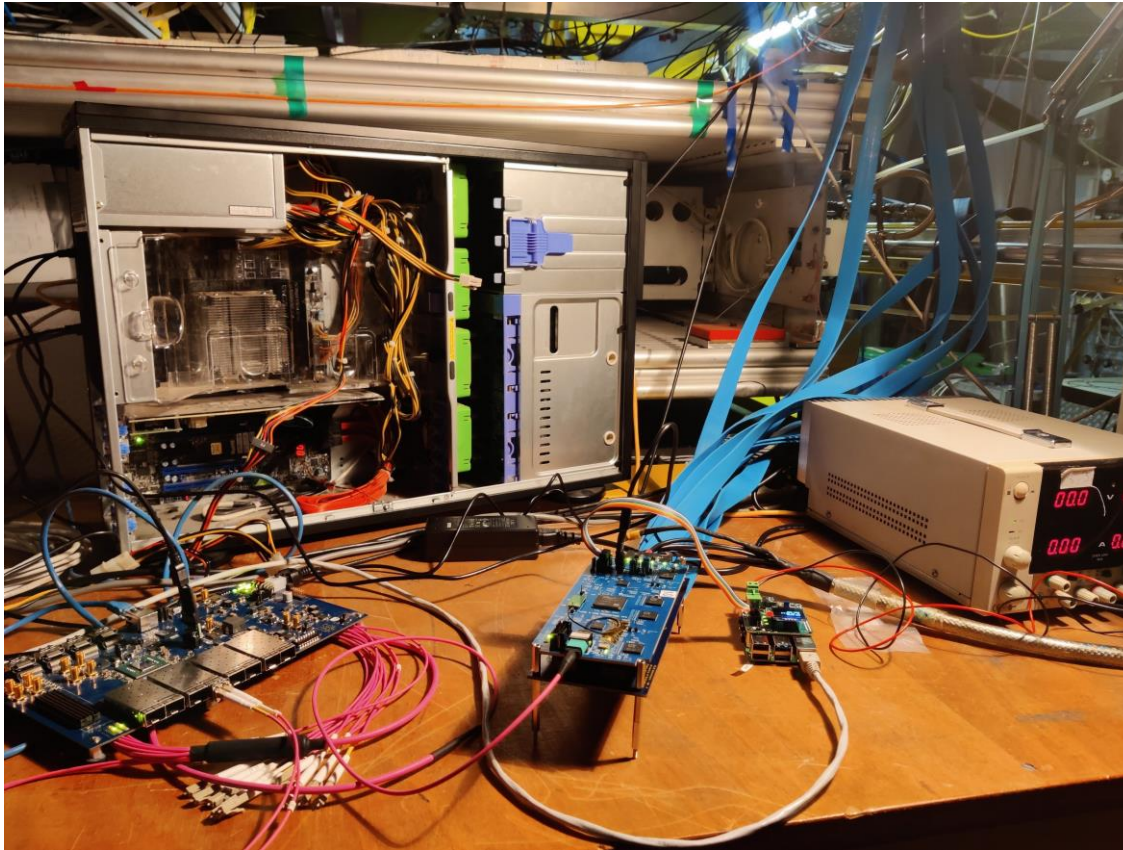
# CRF Electronics Setup with MiniDAQ



- The MiniDAQ replaces the FILAR cards as a stand alone system

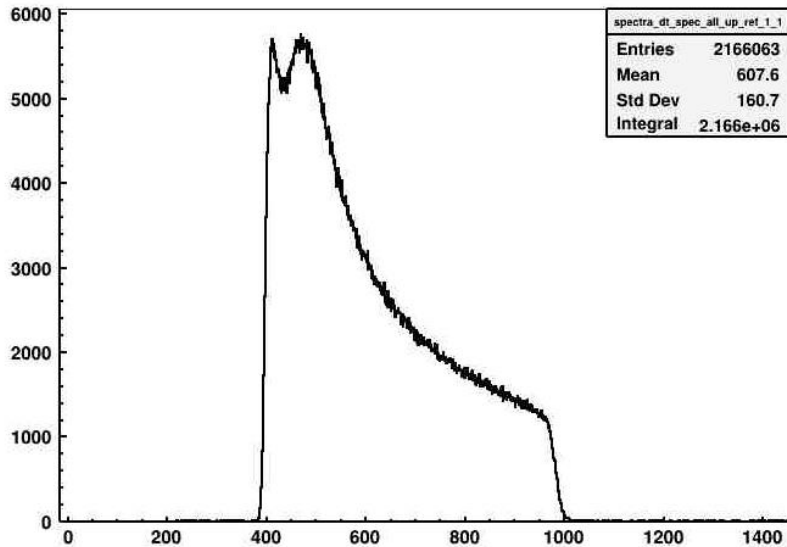
# What the set up looks like:

---

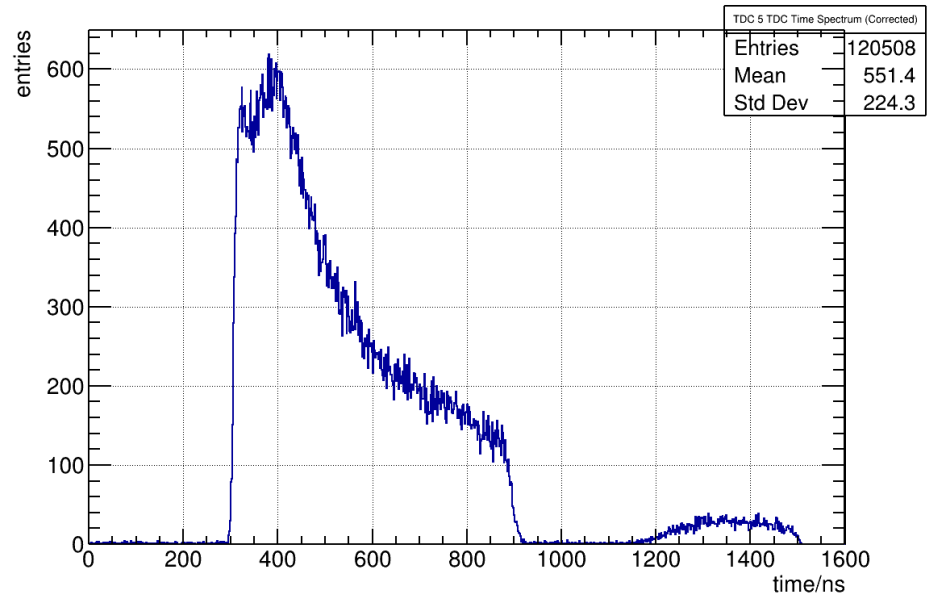


# Comparison of TDC plots

Old Set-up

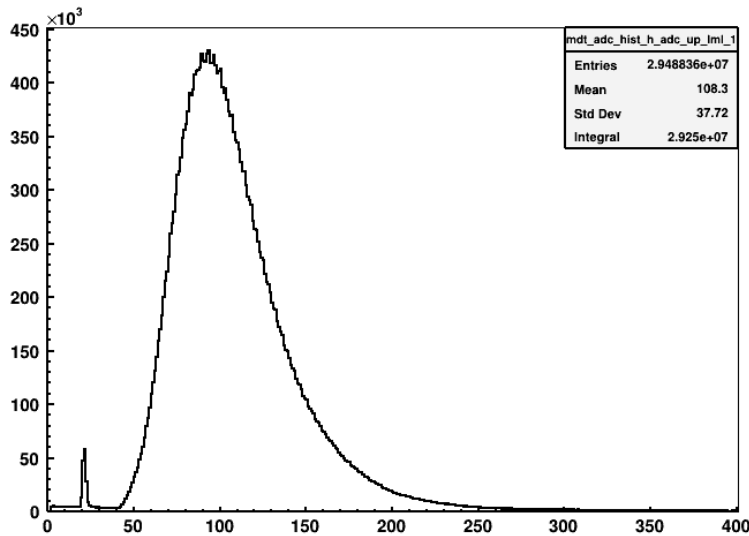


With MiniDAQ



# Comparison of ADC plots

Old Set-up



With MiniDAQ

